

Aralco Trickle Vent EA

The slot ventilator can be surface mounted on all types of windows and is available in any size and finish for slot heights up to 16mm.

The hood offers weather protection and is available with fly screen apertures of either 3 x 4 mm or 6 x 8 mm.

The vent allows for upward ventilation which avoids undue draught.

For domestic fuel burning appliances a special hood (6 x 8 mm apertures mesh) is designed to be surface mounted upside down to provide upward deflected air for permanent ventilation (See drawings below)

Technical information, drawings and specifications are available upon request or via download from www.aralco.be



Document F - Introducing EA

The Aralco strong performing aluminium trickle vents have been especially developed to meet the requirements of Approved Document F - Means of Ventilation (April 2006 UK).

The Part F (UK) document typically requires 2500 Equivalent Area (EA) for kitchens, utility rooms and bathrooms and 5000 EA for habitable rooms (depending on the ventilation system applied).

EA better reflects the volume of air that will flow through an opening for a given pressure difference.

Trickle vents also need to be controllable and the EA should be clearly marked on the vent

Gas ventilation applications still use "Free Area" (FA).



VIVA G&S Ltd

Unit 1, 219 Torrington Avenue, Coventry CV4 9HN

Tel: 02476 694500

Website: www.viva-group.co.uk

Fax: 02476 474333

Email: enquiries@viva-group.co.uk



ISO9001:2008
Certificate No. FM547243

Aralco Trickle Vent EA

Technical Specifications

Equivalent Area (EA) 2500mm²

Airflow at 1 Pa is 2.3 m³ / h *, Airflow at 2 Pa is 3.3 m³ / h *,
Airflow at 4 Pa is 4.7 m³ / h *, Airflow at 6 Pa is 5.7 m³ / h *

Slot Height	Slot Width	Number Of Slots	Number Of Bridges	Width Of Bridge	Recommended Slot Vent Length
16 mm	185 mm	1	0	0 mm	230 mm
15 mm	190 mm	1	0	0 mm	230 mm
14 mm	200 mm	1	0	0 mm	300 mm
13 mm	210 mm	1	0	0 mm	300 mm
12 mm	230 mm	1	0	0 mm	300 mm
11 mm	250 mm	1	0	0 mm	300 mm
10 mm	260 mm	1	0	0 mm	300 mm

Equivalent Area (EA) 5000mm²

Airflow at 1 Pa is 4.6 m³ / h *, Airflow at 2 Pa is 6.5 m³ / h *,
Airflow at 4 Pa is 9.1 m³ / h *, Airflow at 6 Pa is 11.2 m³ / h *

Slot Height	Slot Width	Number Of Slots	Number Of Bridges	Width Of Bridge	Recommended Slot Vent Length
16 mm	370 mm	1	0	0 mm	425 mm
15 mm	380 mm	1	0	0 mm	425 mm
14 mm	200 mm	2	1	15 mm	555 mm
13 mm	210 mm	2	1	15 mm	555 mm
12 mm	230 mm	2	1	15 mm	555 mm
11 mm	250 mm	2	1	15 mm	555 mm

- 10% Tolerance included
- * Test reports on request

VIVA G&S Ltd

Unit 1, 219 Torrington Avenue, Coventry CV4 9HN

Tel: 02476 694500 Website: www.viva-group.co.uk
Fax: 02476 474333 Email: enquiries@viva-group.co.uk



ISO9001:2008
Certificate No. FM547243

Aralco Trickle Vent EA

Free Area (FA) Characteristics
(For UK: Applicable for Permanent Gas Vents)

Slot Height	Routing Details	3000 m ²	4000 m ²	6000 m ²	6500 m ²	8000 m ²
10 mm	Vent Length	330 mm	455 mm	645 mm	695 mm	875 mm
	Slot Width	300 mm	200 mm	300 mm	325 mm	267 mm
	No of Slots	1	2	2	2	2
	No of Bridges	0	1	1	1	2
	Bridge Width	0	15 mm	15 mm	15 mm	15 mm
11 mm	Vent Length	305 mm	415 mm	605 mm	640 mm	785 mm
	Slot Width	273 mm	180 mm	273 mm	297 mm	364 mm
	No of Slots	1	2	2	2	2
	No of Bridges	0	1	1	1	1
	Bridge Width	0	15 mm	15 mm	15 mm	15 mm
12 mm	Vent Length	280 mm	375 mm	555 mm	590 mm	725 mm
	Slot Width	250 mm	333 mm	250 mm	272 mm	334 mm
	No of Slots	1	1	2	2	2
	No of Bridges	0	0	1	1	1
	Bridge Width	0	0	15 mm	15 mm	15 mm
13 mm	Vent Length	260 mm	350 mm	520 mm	545 mm	675 mm
	Slot Width	231 mm	308 mm	231 mm	250 mm	308 mm
	No of Slots	1	1	2	2	2
	No of Bridges	0	0	1	1	1
	Bridge Width	0	0	15 mm	15 mm	15 mm
14 mm	Vent Length	245 mm	330 mm	485 mm	510 mm	630 mm
	Slot Width	215 mm	286 mm	215 mm	232 mm	286 mm
	No of Slots	1	1	2	2	2
	No of Bridges	0	0	1	1	1
	Bridge Width	0	0	15 mm	15 mm	15 mm
15 mm	Vent Length	235 mm	310 mm	455 mm	480 mm	590 mm
	Slot Width	200 mm	267 mm	200 mm	217 mm	267 mm
	No of Slots	1	1	2	2	2
	No of Bridges	0	0	1	1	1
	Bridge Width	0	0	15 mm	15 mm	15 mm
16 mm	Vent Length	230 mm	290 mm	415 mm	455 mm	555 mm
	Slot Width	188 mm	250 mm	375 mm	205 mm	250 mm
	No of Slots	1	1	1	2	2
	No of Bridges	0	0	0	1	1
	Bridge Width	0	0	0	15 mm	15 mm

VIVA G&S Ltd

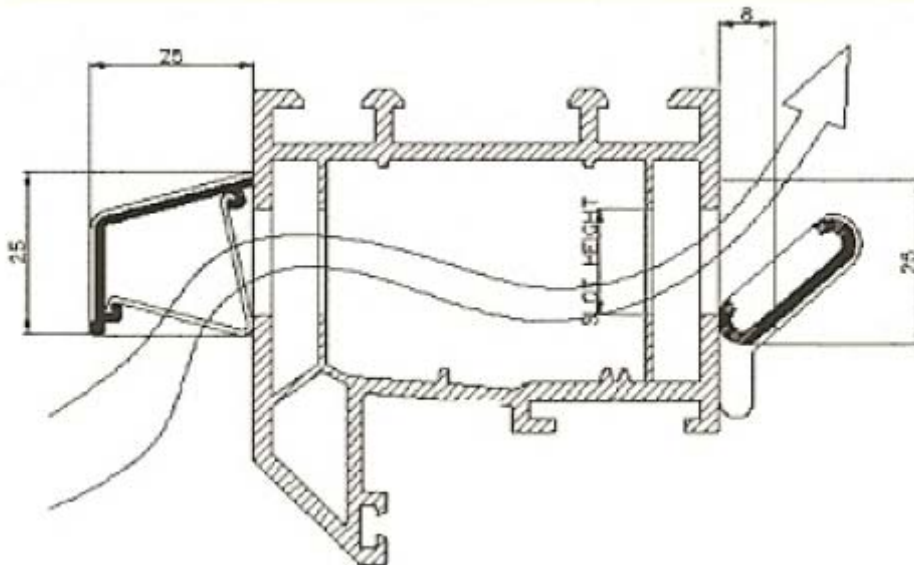
Unit 1, 219 Torrington Avenue, Coventry CV4 9HN

Tel: 02476 694500 Website: www.viva-group.co.uk
 Fax: 02476 474333 Email: enquiries@viva-group.co.uk

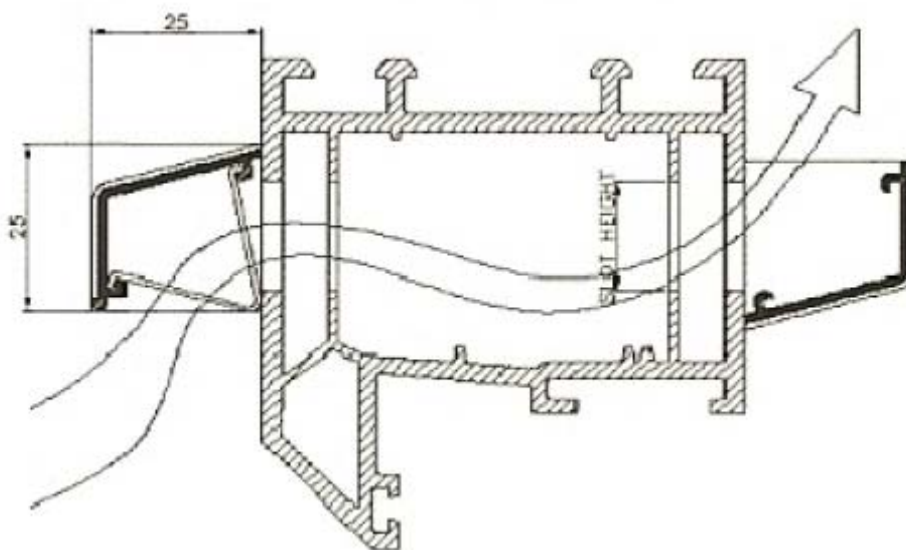


ISO9001:2008
Certificate No. FM547243

Trickle Vent—Controllable



Trickle Vent—Permanent (Gas)



VIVA G&S Ltd

Unit 1, 219 Torrington Avenue, Coventry CV4 9HN

Tel: 02476 694500

Website: www.viva-group.co.uk

Fax: 02476 474333

Email: enquiries@viva-group.co.uk



ISO9001:2008
Certificate No. FM547243