

## Aralco GlazAir Trickle Vent

Aluminium glazed-in ventilator suitable for PVC-u, timber or aluminium windows

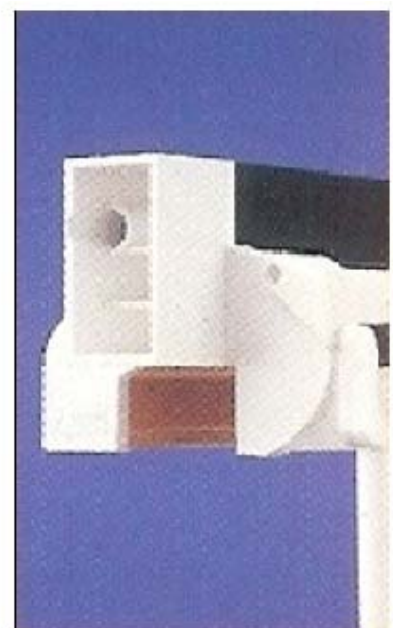
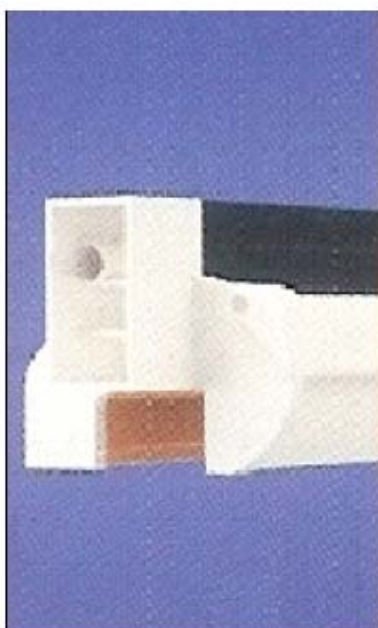
The canopy style external profile is punched and forms an insect mesh. Perfect wind and water tightness

The GlazAir is available in 3 versions:

- **Controllable:** A Graded operating mechanism provides control of air
- **Trickle vent:** In accordance with the building regulations, the airflow can be adjusted manually but the ventilator can not be closed completely
- **Permanent:** In accordance with the building regulations for fuel burning appliances, any form of control mechanism has been prohibited

Technical information, drawings and specifications are available upon request or can be downloaded from [www.aralco.be](http://www.aralco.be)

Test reports are available upon request



### VIVA G&S Ltd

Unit 1, 219 Torrington Avenue, Coventry CV4 9HN

Tel: 02476 694500

Website: [www.viva-group.co.uk](http://www.viva-group.co.uk)

Fax: 02476 474333

Email: [enquiries@viva-group.co.uk](mailto:enquiries@viva-group.co.uk)



ISO9001:2008  
Certificate No. FM547243

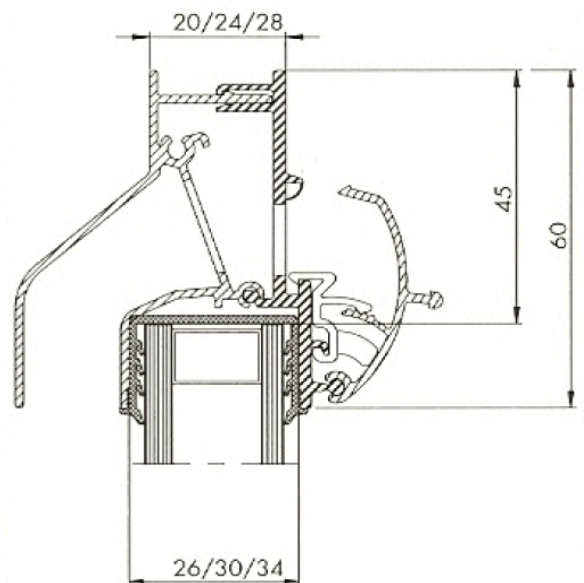
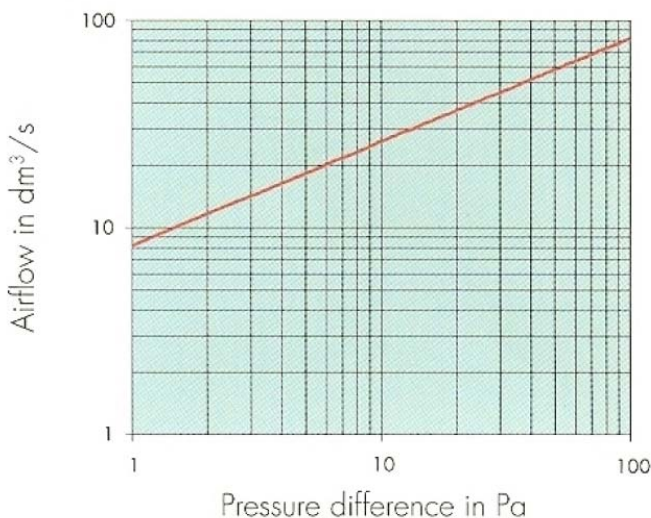
## Aralco GlazAir Trickle Vent

### Technical Specifications

Performance	
Airflow at 1 Pa in $\text{dm}^3 / \text{s.m}$	8.2
Airflow at 2 Pa in $\text{dm}^3 / \text{h.m}$	41.4
Equivalent Area in $\text{mm}^2 / \text{m}$	10414
Free Air Performance in $\text{mm}^2$	11237
Wind and Water Tightness	Up to 600 Pa

Dimensions	Upper Glazing	Transom Glazing
Glass Reduction	45 mm	
Built-In Height	60 mm	85 mm
Glazing Thickness	20, 24 and 28 mm	20 mm
Rebate Size	19 mm	19 mm
Sight Line	40mm	

Finishes	
Control	Lever, Rod or Cord
End Caps	Black or White
Finishes	F1 Silver Anodised All RAL Colours (Also Twin Colour)



### VIVA G&S Ltd

Unit 1, 219 Torrington Avenue, Coventry CV4 9HN

Tel: 02476 694500

Website: [www.viva-group.co.uk](http://www.viva-group.co.uk)

Fax: 02476 474333

Email: [enquiries@viva-group.co.uk](mailto:enquiries@viva-group.co.uk)



ISO9001:2008  
Certificate No. FM547243