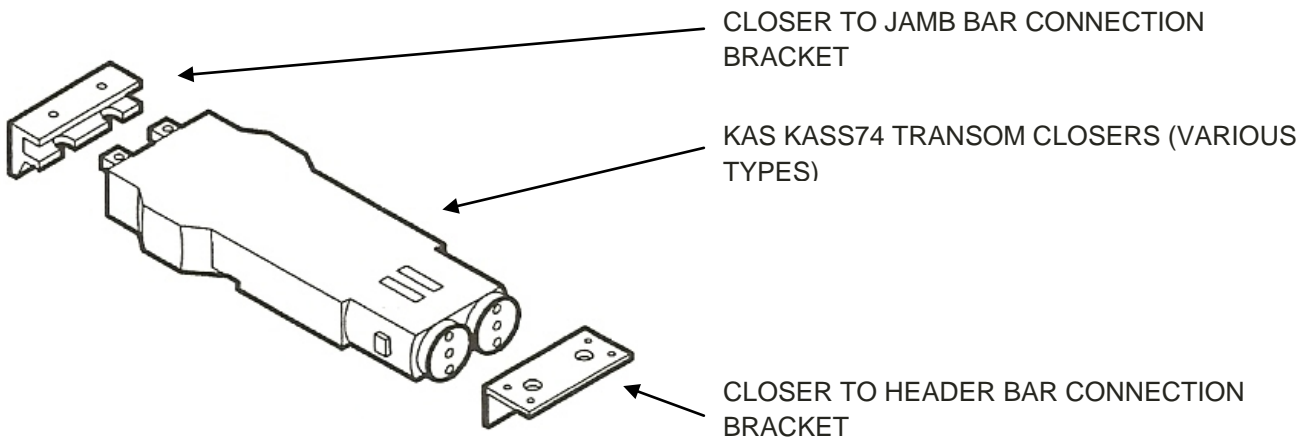
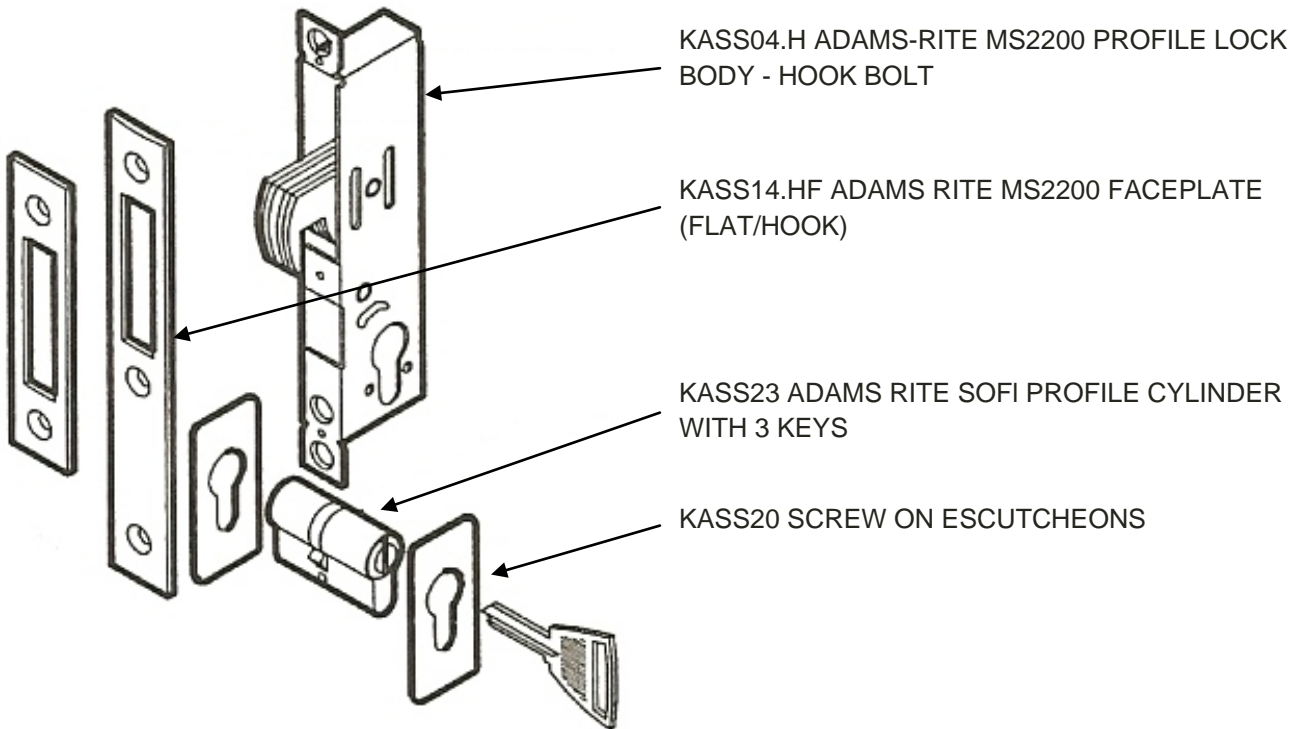


# COMMERCIAL DOOR HARDWARE IDENTIFICATION



## **VIVA G&S Ltd**

Unit 1, 219 Torrington Avenue, Coventry CV4 9HN

Telephone: 02476 694500

Fax: 02476 474333

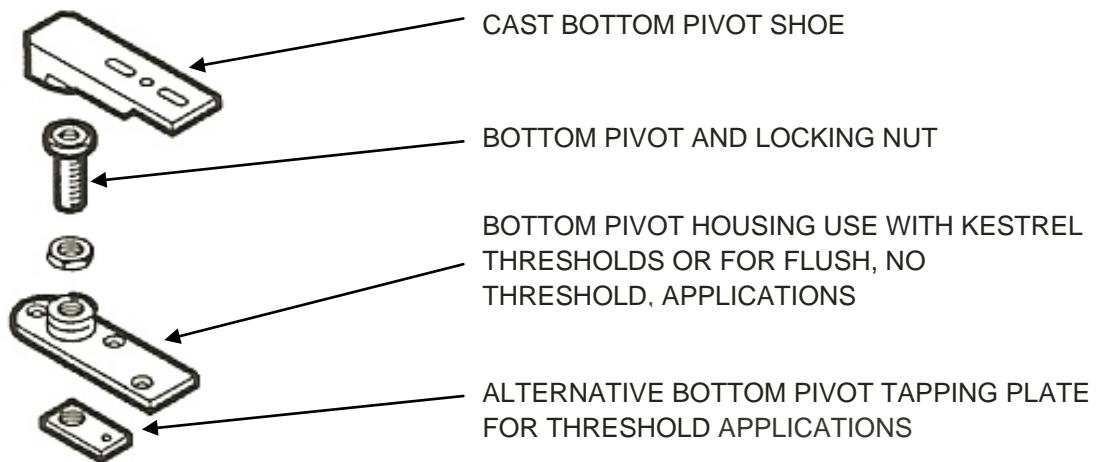
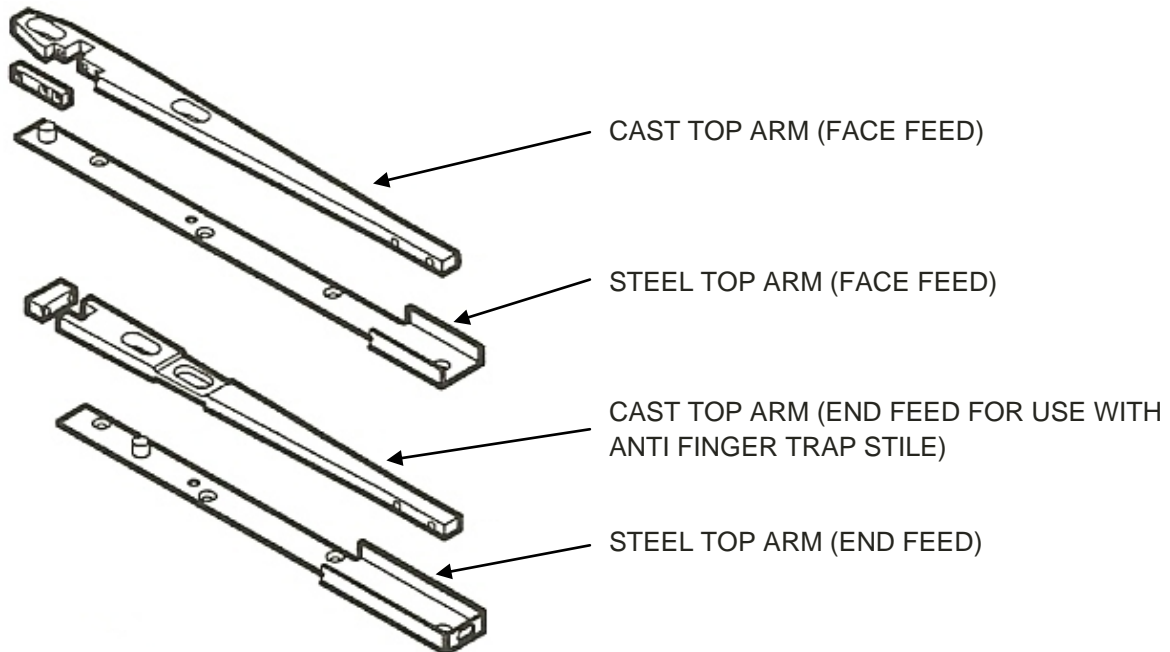
Website: [www.viva-group.co.uk](http://www.viva-group.co.uk)

Email: [enquiries@viva-group.co.uk](mailto:enquiries@viva-group.co.uk)



ISO9001:2008 Certificate No. FM547243

## COMMERCIAL DOOR HARDWARE IDENTIFICATION (Cont.)



### **VIVA G&S Ltd**

Unit 1, 219 Torrington Avenue, Coventry CV4 9HN

Telephone: 02476 694500

Fax: 02476 474333

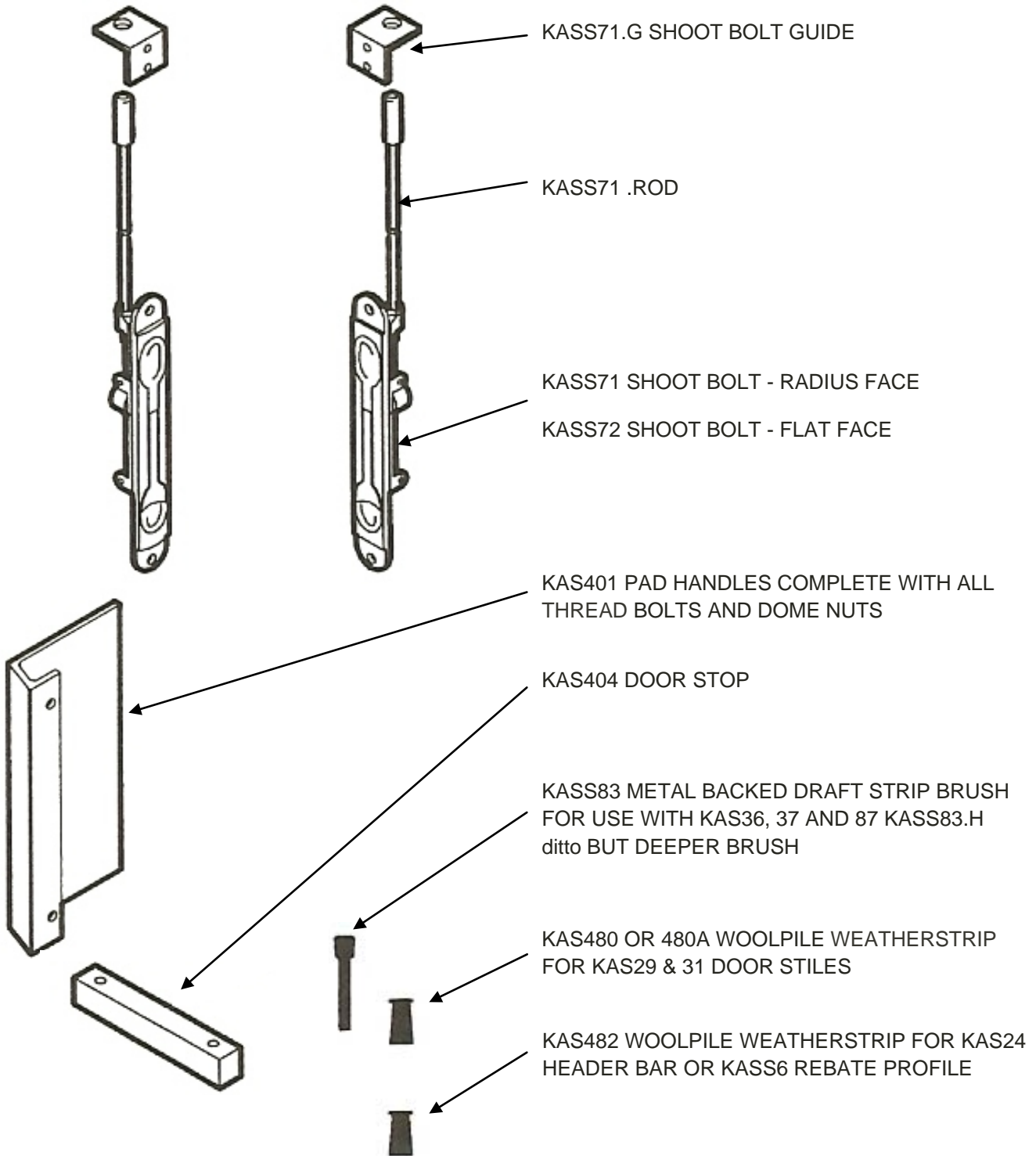
Website: [www.viva-group.co.uk](http://www.viva-group.co.uk)

Email: [enquiries@viva-group.co.uk](mailto:enquiries@viva-group.co.uk)



ISO9001:2008 Certificate No. FM547243

## COMMERCIAL DOOR HARDWARE IDENTIFICATION (Cont.)



### **VIVA G&S Ltd**

Unit 1, 219 Torrington Avenue, Coventry CV4 9HN

Telephone: 02476 694500

Fax: 02476 474333

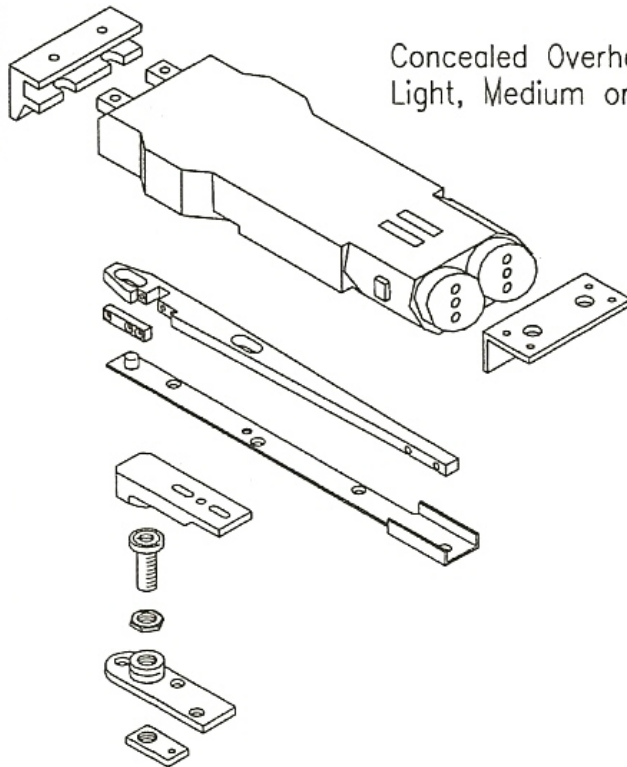
Website: [www.viva-group.co.uk](http://www.viva-group.co.uk)

Email: [enquiries@viva-group.co.uk](mailto:enquiries@viva-group.co.uk)



ISO9001:2008 Certificate No. FM547243

## ENTRANCE DOORSERIES ACCESSORIES



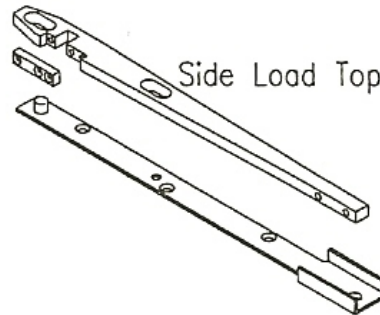
Concealed Overhead Closers  
Light, Medium or Heavy Duty Options

### **IA-CLHO**

90 degree Hold Open Closer Complete

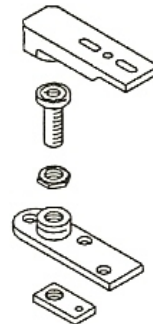
### **IA-CLNH**

No Hold Closer Complete



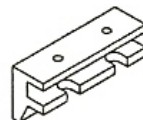
### **IA-CLTA**

Side Load Top Arm Assembly



### **IA-CLBP**

Bottom Pivot Assembly



### **IA-CLFB**

'F' Bracket with Screws(Set A)

### **VIVA G&S Ltd**

Unit 1, 219 Torrington Avenue, Coventry CV4 9HN

Telephone: 02476 694500

Fax: 02476 474333

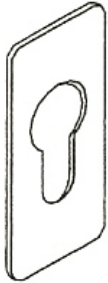
Website: [www.viva-group.co.uk](http://www.viva-group.co.uk)

Email: [enquiries@viva-group.co.uk](mailto:enquiries@viva-group.co.uk)



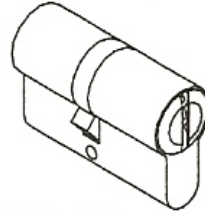
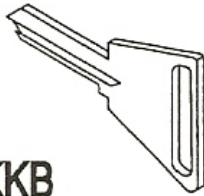
ISO9001:2008 Certificate No. FM547243

## Locks and Hardware



**IA-LKKB**

Key Blank for Cylinder

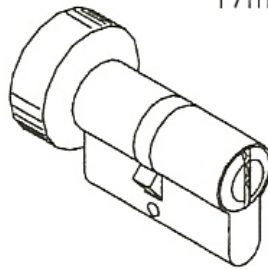


**IA-LKC**

17mm Euro Cylinder

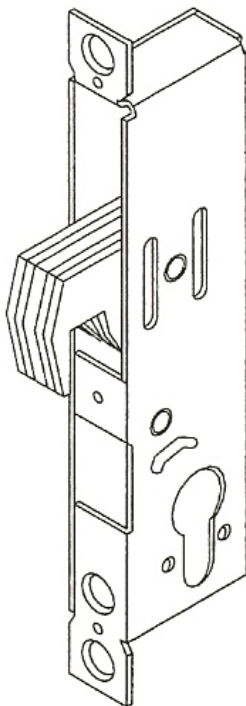
**IA-LKCE**

Self Adhesive Escutcheon  
Anodised Natural (S.A.A.)



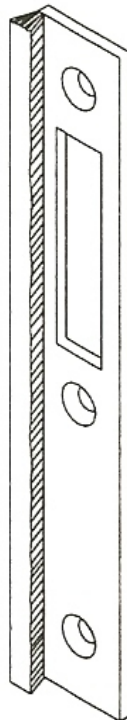
**IA-LKTT**

17mm Euro Cylinder Thumbturn



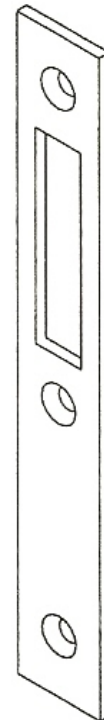
**IA-LK**

Hook Lock



**IA-LKPW**

Faceplate With Weatherstrip



**IA-LKP**

Plain Faceplate

### **VIVA G&S Ltd**

Unit 1, 219 Torrington Avenue, Coventry CV4 9HN

Telephone: 02476 694500

Fax: 02476 474333

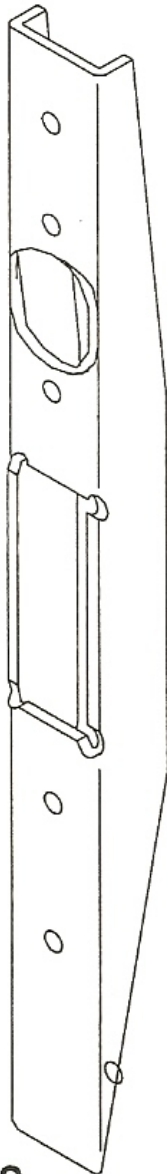
Website: [www.viva-group.co.uk](http://www.viva-group.co.uk)

Email: [enquiries@viva-group.co.uk](mailto:enquiries@viva-group.co.uk)

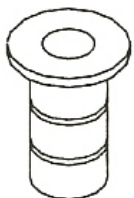


ISO9001:2008 Certificate No. FM547243

## Locks and Hardware (Cont.)

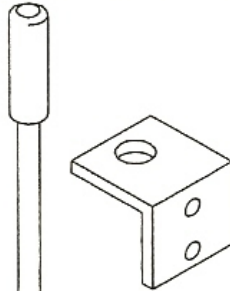


**IA-LKAS**  
Armoured Strike

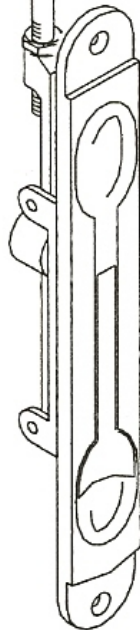


**IA-LKFR**  
Flush Bolt Sprung Floor Socket

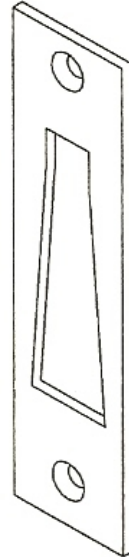
**IA-LKFBR**  
Radius Faced Flush Bolt



**IA-FBG**  
Flush Bolt Guide



**IA-LKASFP**  
Armoured Strike Flat Face Plate



**IA-LKMB**  
Mounting Clips  
(Pair)

### **VIVA G&S Ltd**

Unit 1, 219 Torrington Avenue, Coventry CV4 9HN

Telephone: 02476 694500

Fax: 02476 474333

Website: [www.viva-group.co.uk](http://www.viva-group.co.uk)

Email: [enquiries@viva-group.co.uk](mailto:enquiries@viva-group.co.uk)



ISO9001:2008 Certificate No. FM547243