

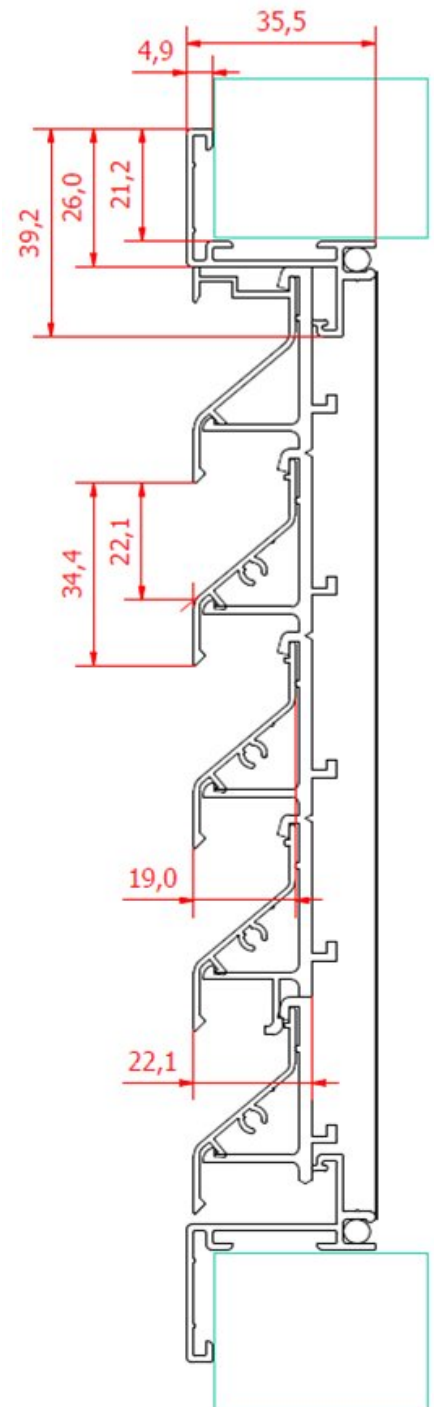
SLS34-VFL 34mm Flanged Louvre

A Wall Louvre featuring 34mm louvre blades

To ensure long life, all parts are manufactured with high grade aluminium extrusions and a 10 year colour fastness is offered with all paint finishes

More details are given in the Technical Specification below, but if you require further information, please contact us

Type	Wall Louvre with 34mm Flanged Louvre Blades	
Material	Aluminium	All parts (frame profile, clips, blades etc) are manufactured from aluminium extrusions AIMg Si 0.5
	Profile Thickness	Minimum 1.5mm
	Finish	Natural anodising to 15-22µm with Powder Coating available in any RAL or BS colour
	Protection	Nylon insect mesh fitted as standard with
Design	<p>100% Aluminium construction</p> <p>The aluminium louvre clips are slid into the frame profile and the aluminium louvre blades are clipped into the louvre clips</p> <p>Blade Pitch = 34 mm</p> <p>Blade Height = 38.5 mm</p> <p>Visual Free Area = 68%</p> <p>Total Depth = 33.8 mm</p> <p>Depth to Fit = 36 mm</p> <p>Reinforcement profile carrying extra blade supports are fitted when louvre widths > 700mm</p> <p>Aluminium foil covered insulation packs in any required thickness can be bonded to the back of panels</p> <p>Aluminium water drainage profile can be fitted at the bottom of the louvre to improve water tightness</p>	
Manufacture	Custom made to measure by our skilled craftsmen to our exact requirements	
Powder Coating	<p>Powder Coating Thickness = 60-80 µm</p> <p>Any RAL or BS Colour available</p> <p>10 Year guarantee on colour fastness (Qualicoat)</p>	



VIVA G&S Ltd

Unit 1, 219 Torrington Avenue, Coventry CV4 9HN

Tel: 02476 694500

Website: www.viva-group.co.uk

Fax: 02476 474333

Email: enquiries@viva-group.co.uk



ISO9001:2008
Certificate No. FM547243