

LLS75-FLG

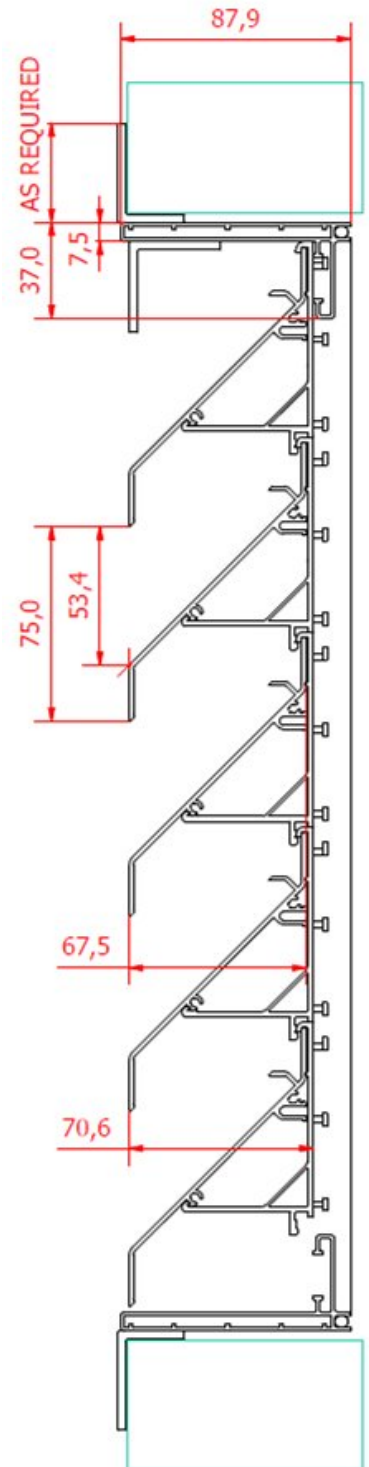
75mm Wall Louvre with Flanged Louvre Blades

A Wall Louvre featuring 75mm flanged louvre blades

To ensure long life, all parts are manufactured with high grade aluminium extrusions and a 10 year colour fastness is offered with all paint finishes

More details are given in the Technical Specification below, but if you require further information, please contact us

Type	Built in Wall Louvre with 75mm Flanged Louvre Blades Z-Shaped Louvres	
Material	Aluminium	All parts (frame profile, clips, blades etc) are manufactured from aluminium extrusions AlMg Si 0.5
	Profile Thickness	Minimum 1.5mm
	Finish	Natural anodising to 15-22µm with Powder Coating available in any RAL or BS colour
	Protection	Nylon insect mesh fitted as standard with Stainless Steel or Gas meshes also available
Design	<p>The wall louvre consists of a flanged frame profile</p> <p>The aluminium louvre clips are slid into the frame profile and the aluminium louvre blades are clipped into the louvre clips</p> <p>Blade Pitch = 75 mm</p> <p>Blade Height = 107 mm</p> <p>Visual Free Area = 72%</p> <p>Depth to Fit = 88 mm</p> <p>1.5 mm Aluminium panels can also be fitted instead of insect meshes</p> <p>Reinforcement profile carrying extra blade supports are fitted when louvre widths > 700mm</p> <p>Aluminium foil covered insulation packs in any required thickness can be bonded to the back of panels</p> <p>Aluminium water drainage profile can be fitted at the bottom of the louvre to improve water tightness</p>	
Manufacture	Custom made to measure by our skilled craftsmen to our exact requirements	
Powder Coating	<p>Powder Coating Thickness = 60-80 µm</p> <p>Any RAL or BS Colour available</p> <p>10 Year guarantee on colour fastness (Qualicoat)</p>	



VIVA G&S Ltd

Unit 1, 219 Torrington Avenue, Coventry CV4 9HN

Tel: 02476 694500

Website: www.viva-group.co.uk

Fax: 02476 474333

Email: enquiries@viva-group.co.uk



ISO9001:2008
Certificate No. FM547243